
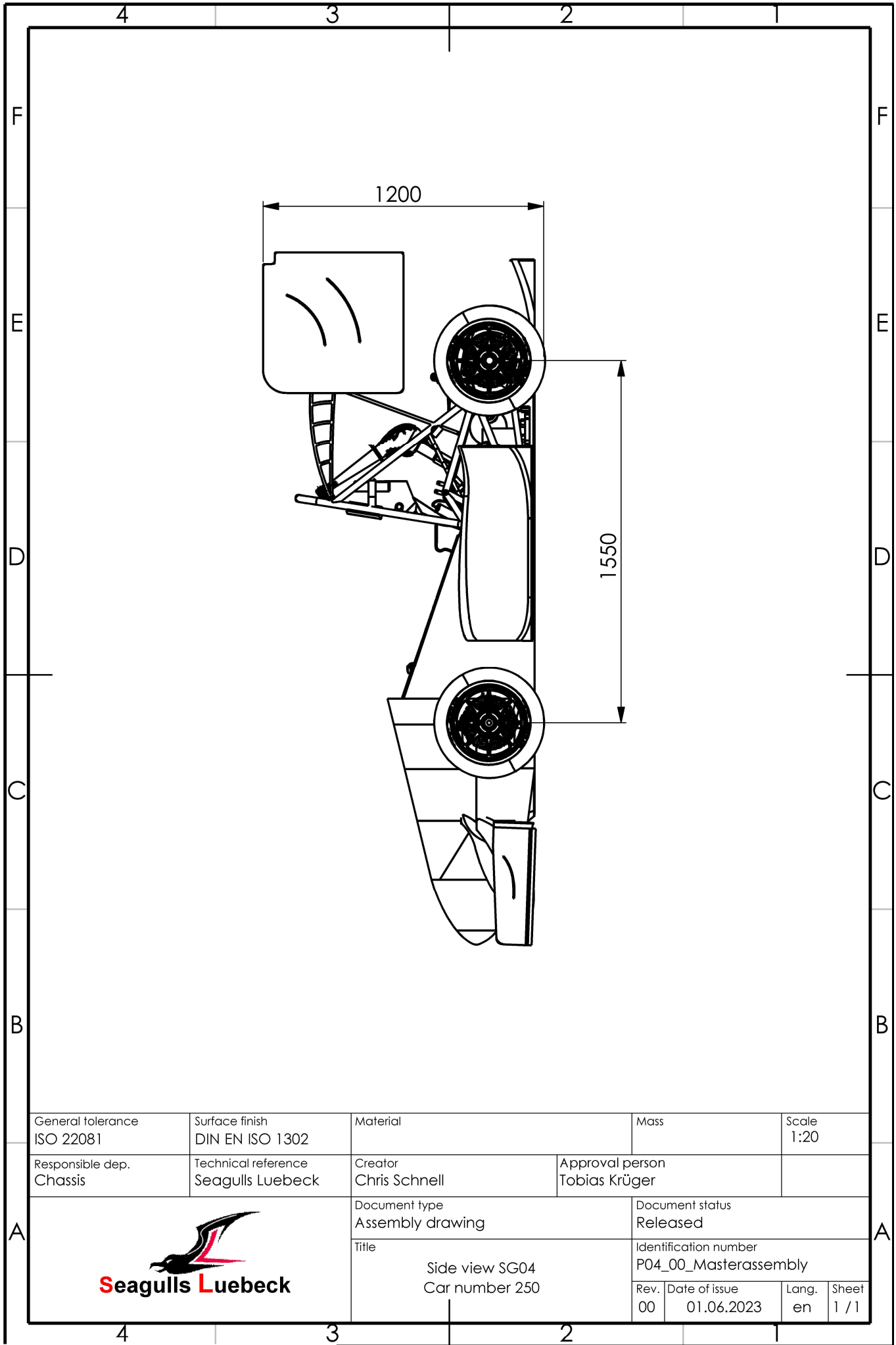

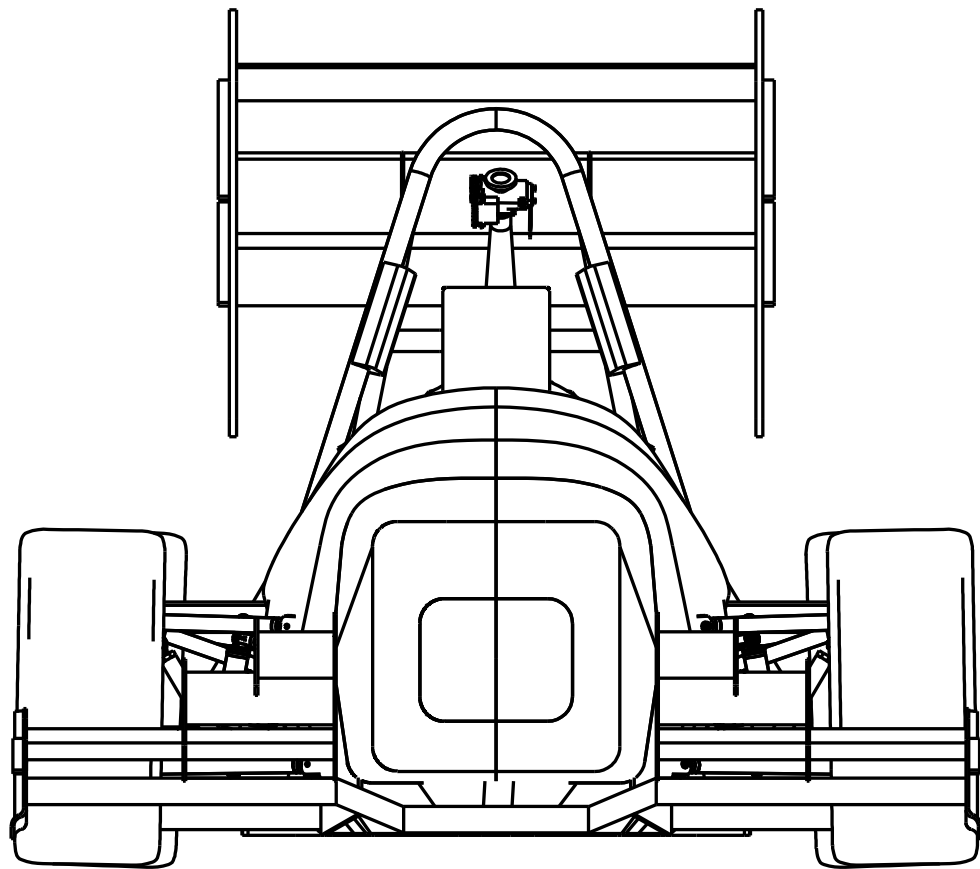



General tolerance ISO 22081	Surface finish DIN EN ISO 1302	Material	Mass	Scale 1:20
Responsible dep. Chassis	Technical reference Seagulls Luebeck	Creator Chris Schnell	Approval person Tobias Krüger	
		Document type Production drawing	Document status Released	
		Title Top view of SG04 Car number 250	Identification number P04_00_Masterassembly	
		Rev. 00	Date of issue 01.06.2023	Lang. en



General tolerance ISO 22081	Surface finish DIN EN ISO 1302	Material	Mass	Scale 1:20						
Responsible dep. Chassis	Technical reference Seagulls Luebeck	Creator Chris Schnell	Approval person Tobias Krüger							
		Document type Assembly drawing	Document status Released							
		Title Side view SG04 Car number 250	Identification number P04_00_Masterassembly	<table border="1"> <tr> <td>Rev.</td> <td>Date of issue</td> <td>Lang.</td> <td>Sheet</td> </tr> <tr> <td>00</td> <td>01.06.2023</td> <td>en</td> <td>1 / 1</td> </tr> </table>	Rev.	Date of issue	Lang.	Sheet	00	01.06.2023
Rev.	Date of issue	Lang.	Sheet							
00	01.06.2023	en	1 / 1							



General tolerance ISO 22081	Surface finish DIN EN ISO 1302	Material	Mass	Scale 1:10
Responsible dep. Chassis	Technical reference Seagulls Luebeck	Creator Chris Schnell	Approval person Tobias Krüger	
		Document type Assembly drawing	Document status Released	
		Title Front view SG04 Car number 250	Identification number P04_00_Masterassembly	
		Rev. 00	Date of issue 02.06.2023	Lang. en